

Providence LED

Hard steel durability with soft illumination

FEATURES

- 2'x2' LED troffer
- Driver can be accessed with wire leads from knockout
- Can be installed in standard T-bar ceilings
- Linear arrayed LED modules provide soft, effective illumination
- Lifespan. 50,000 hours

HOUSING

- Constructed of die-formed 23 gauge cold rolled steel body.

OPTICS

- Opal acrylic center basket for ideal aesthetics
- Reflectors and end with high-gloss baked white enamel finish over rust inhibiting phosphate coat

ELECTRICAL

- 5630 SMD Samsung LED type LED driver. 50W
- Operation temperature. -15° +45°C
- AC 0-10V dimming driver available as an option
- Input Power. 48W
- CRI. 80+
- Beam angle. 120°
- C.C.T.. 3,000K, 3,500K, 4,000K
- Driver suitable for 120-277V operation, consult factory for other options.

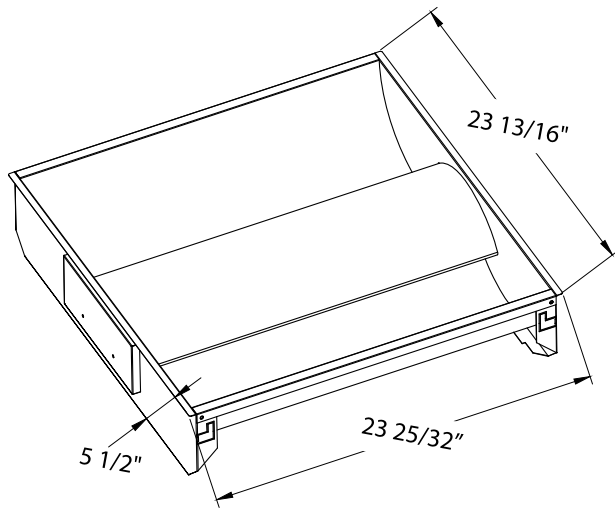
OPTIONS

- Dimming (D)

TOTAL LUMEN OUTPUT

- 3,700 -4,100 *†

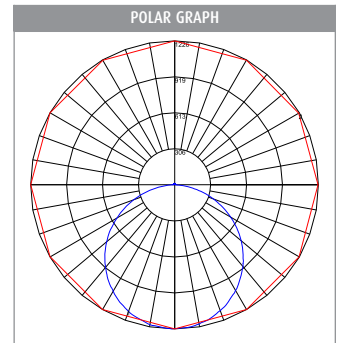
*Depending on CCT. †Initial lumens



APPLICATIONS

- Offices
- Conferences rooms
- Showrooms
- Libraires
- Schools

ZONAL LUMEN SUMMARY			
48W/40K			
Zone	Lumens	% Lamp	% Fixt
0-20	450.42	11.30	11.30
0-30	964.24	24.10	24.10
0-40	1599.52	40.00	40.00
0-60	2949.24	73.70	73.70
0-80	3837.39	95.90	95.90
0-90	3934.97	98.30	98.30
10-90	3818.99	95.40	95.40
20-40	1149.1	28.70	28.70
20-50	1836.23	45.90	45.90
40-70	1893.7	47.30	47.30
60-80	888.14	22.20	22.20
70-80	344.16	8.60	8.60
80-90	97.59	2.40	2.40
90-110	26.14	0.70	0.70
90-120	36.70	0.90	0.90
90-130	45.53	1.10	1.10
90-150	58.55	1.50	1.50
90-180	67.48	1.70	1.70
110-180	41.34	1.00	1.00
0-180	4002.46	100.00	100.00
Total Luminaire Efficiency = 100%			



Note: Dimensions subject to change without notice. Certain configurations may not be available. Photos are for illustration purposes only, and do not necessarily represent the exact products, in the context they are found in. PHOTO: © surpasspro Istock /Thinkstock

ORDERING INFORMATION

SERIES	SIZE	WATTS	COLOR TEMP	VOLTAGE	OPTION
PVD	22=2'X2'	50	30=3,000°K 35=3,500°K 40=4,000°K	UNV (120-277)	

DATE	PROJECT NAME	MODEL	TYPE