

Cozumel

Dazzling and stylish
with the pristine clarity
of a Caribbean sunrise



OPTICS

- Parabolic louvers are available in a specular or a mat finish

ELECTRICAL

- Electronic ballasts : 120V, 120-277V, 347V
- All electrical components are UL approved/recognized
- Lamp holders which are provided ensure positive lamp retention
- Standard ballast are electronic programmed rapid start for T5/T5HO lamp configurations
- The standard voltage is 120V, 60HZ, or as specified. Units are also available which are suitable for multi-voltages and for 50-60 Hz

OPTIONS

- Dimming Ballast (D)
- Emergency Ballast (EM)
- Mat louvre (MAT)

FEATURES

- Direct illumination luminaire
- Low profile 2 lamps design around the T5/T5HO light source
- Available in a White (W) Grey (G) or Black (B) finish
- Lamp replacement is done by removing the top cover secured by four screws
- Units are shipped complete with 4' canopy kits including aircraft cables and clear metal braid electrical cord (50"), other lengths available- consult factory
- Units available in 4'

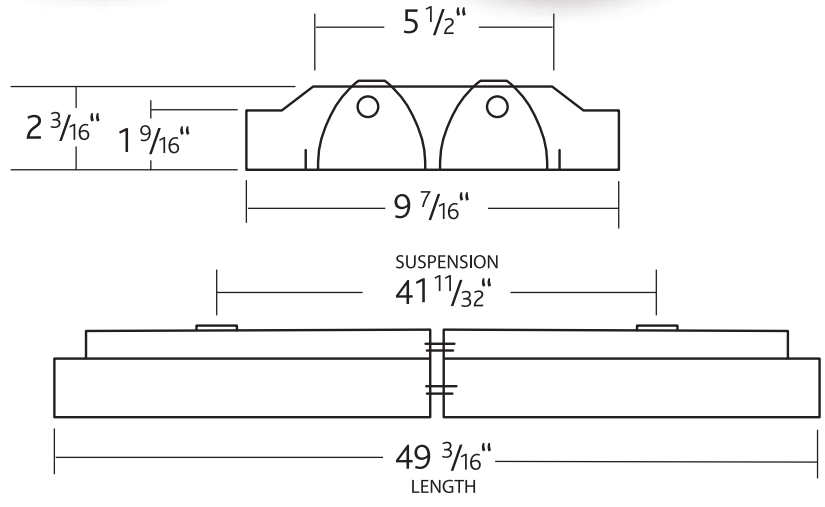
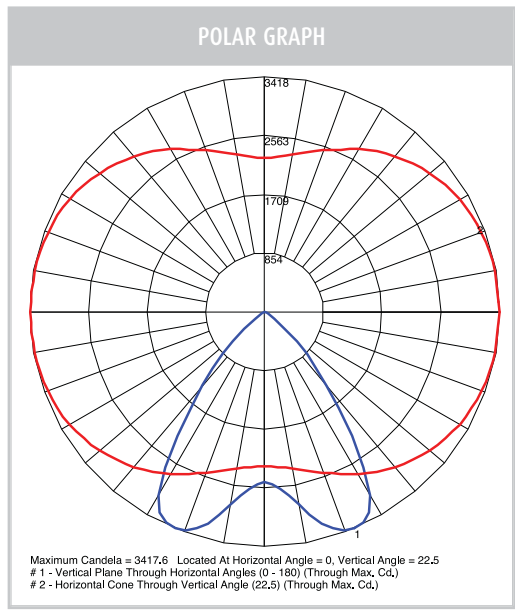
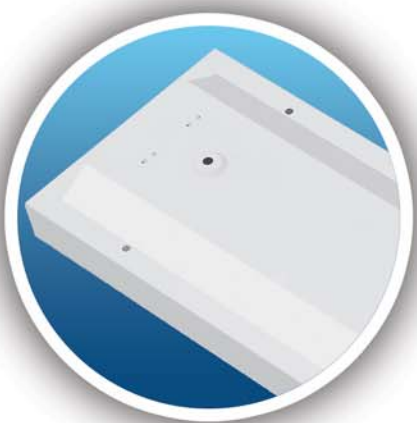
HOUSING

- Electrostatic powder painted roll formed sheet steel with a minimum thickness of 0.6mm. Spot welded for rigidity and clean appearance. Offered in a White, Grey or Black finish, custom colors available - consult factory

APPLICATIONS

- Offices
- Conferences rooms
- Board rooms
- Retail applications
- Corridors
- Classrooms
- Libraries
- Restaurants

Cozumel



2x54T5H0

ZONAL LUMEN SUMMARY			
Zone	Lumens	% Lamp	% Fixt
0-30	2389.22	26.8	46.9
0-40	3848.36	43.2	75.6
0-60	5077.89	57.1	99.7
0-90	5093.25	57.2	100
90-120	.34	0	0
90-130	34	0	0
90-150	.34	0	0
90-180	34	0	0
0-180	5093.59	57.2	100
Total Luminaire Efficiency = 57.2%			

ORDERING INFORMATION

SERIES	TOTAL # LAMPS	WATTAGE	PARABOLIC	FINISH COLOR	VOLTAGE	OPTIONS
CZM	2	28 54	Blank = Specular Aluminium MAT = Matte Aluminium	B=Black G=Grey W=White	UNV (120-277) 347	



Note: Dimensions subject to change without notice. Certain configurations may not be available.

DATE	PROJECT NAME	MODEL	TYPE