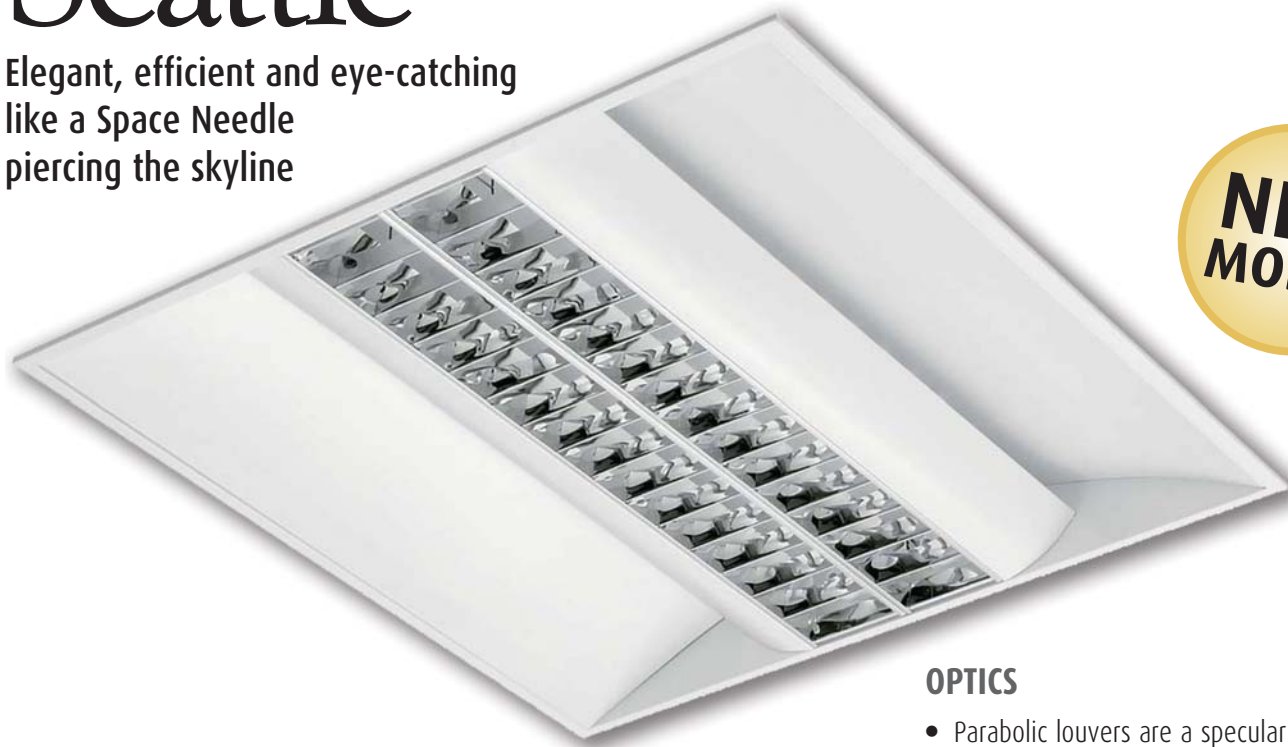


Seattle

Elegant, efficient and eye-catching
like a Space Needle
piercing the skyline



FEATURES

- Specification grade recess 2'x2' fixture
- Modern and visually appealing style fixture
- Suitable for mounting into T-bar ceilings grids
- Direct/Indirect or Direct illumination only
- Designed for the T5/T5HO light source for energy efficiency
- Parabolic louver is attached using clamping springs, allowing easy access and tool free lamp replacement
- Solid side baskets secured tightly in place by tension
- Available with 2 or 4 lamps

HOUSING

- Electrostatic powder painted white roll formed heavy gauge sheet steel with minimum thickness of 0.6mm.

OPTICS

- Parabolic louvers are a specular MRO aluminum finish

ELECTRICAL

- Electronic ballasts : 120V, 120-277V, 347V
- All electrical components are UL approved/recognized
- Lamp holders which are provided ensure positive lamp retention
- Standard ballast are electronic programmed rapid start for T5/T5HO lamp configurations
- The standard voltage is 120V, 60HZ, or as specified. Units are also available which are suitable for multi-voltages and for 50-60 Hz

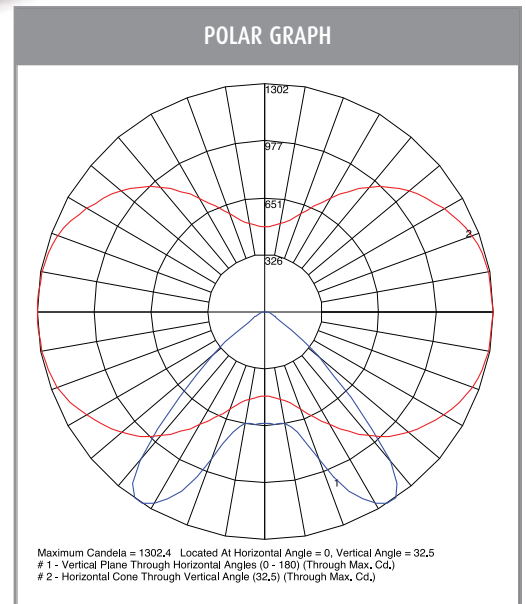
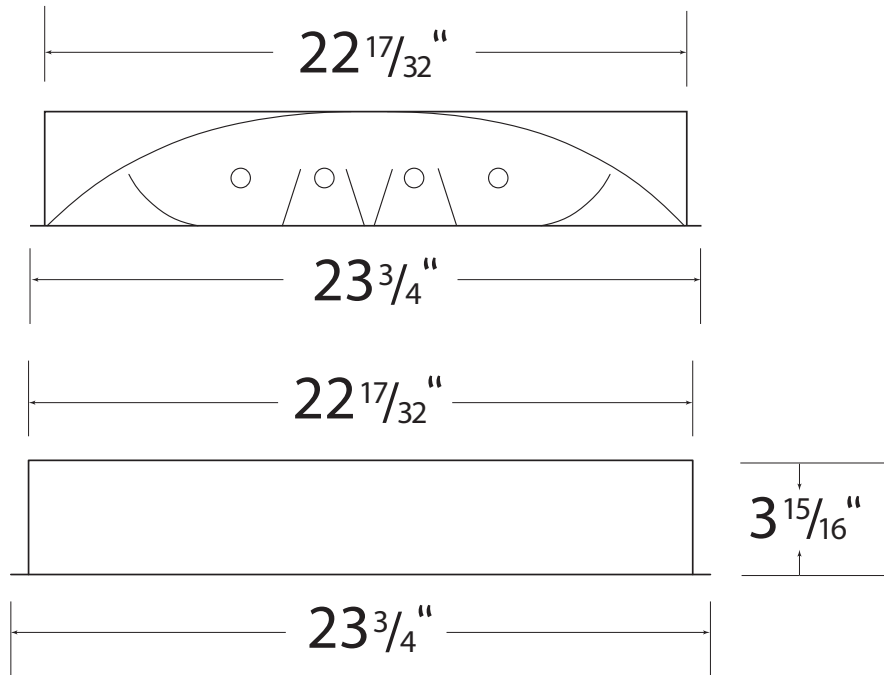
OPTIONS

- Dimming Ballast (D)
- Emergency Ballast (EM)

APPLICATIONS

- Offices
- Conferences rooms
- Board rooms
- Retail applications
- Corridors
- Classrooms
- Libraries

Seattle



2 X F24T5HO

ZONAL LUMEN SUMMARY			
Zone	Lumens	% Lamp	% Fixt
0-30	634.88	18.1	31.7
0-40	1222.13	34.9	61
0-60	1934.89	55.3	96.6
0-90	2002.06	57.2	100
90-120	0	0	0
90-130	0	0	0
90-150	0	0	0
90-180	0	0	0
0-180	2002.1	57.2	100
Total Luminaire Efficiency = 57.2%			

ORDERING INFORMATION

SERIES	TOTAL # LAMPS	WATTAGE	VOLTAGE	OPTIONS
SEA	2	14	120	
	4	24	UNV (120-277) 347	



Note: Dimensions subject to change without notice. Certain configurations may not be available.

DATE	PROJECT NAME	MODEL	TYPE